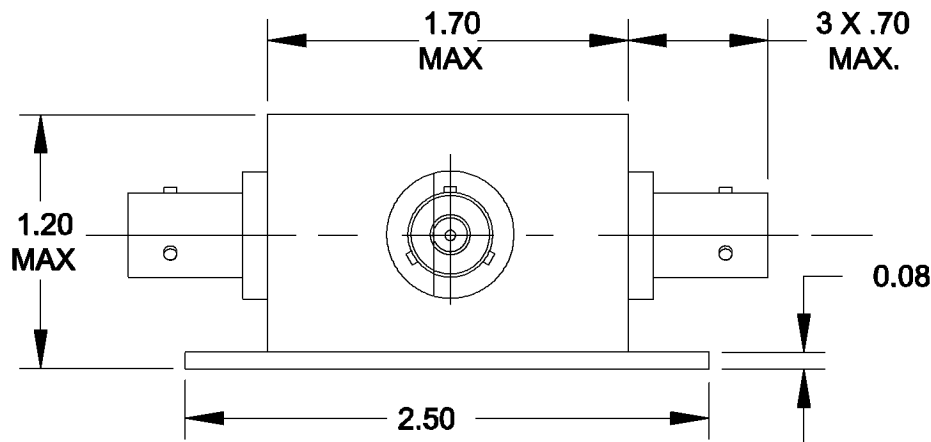
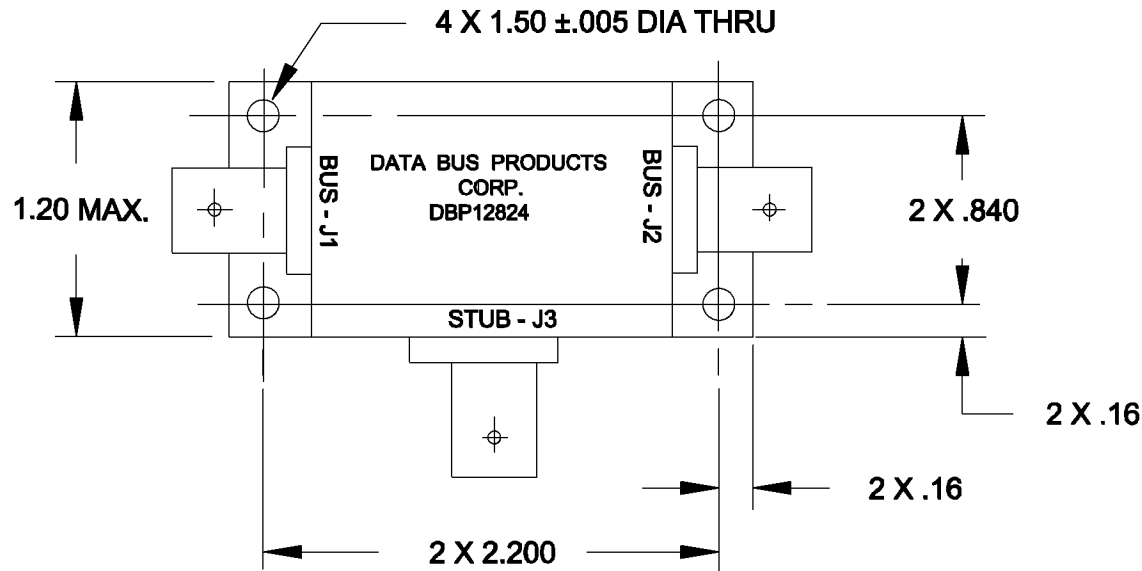


# APPLICATIONS

# REVISIONS

NEXT ASSY	USED ON	LTR	DESCRIPTIONS	DATE	APPROVED
	MULTIPLE	—	BASELINE RELEASE	05 / 25 / 94	



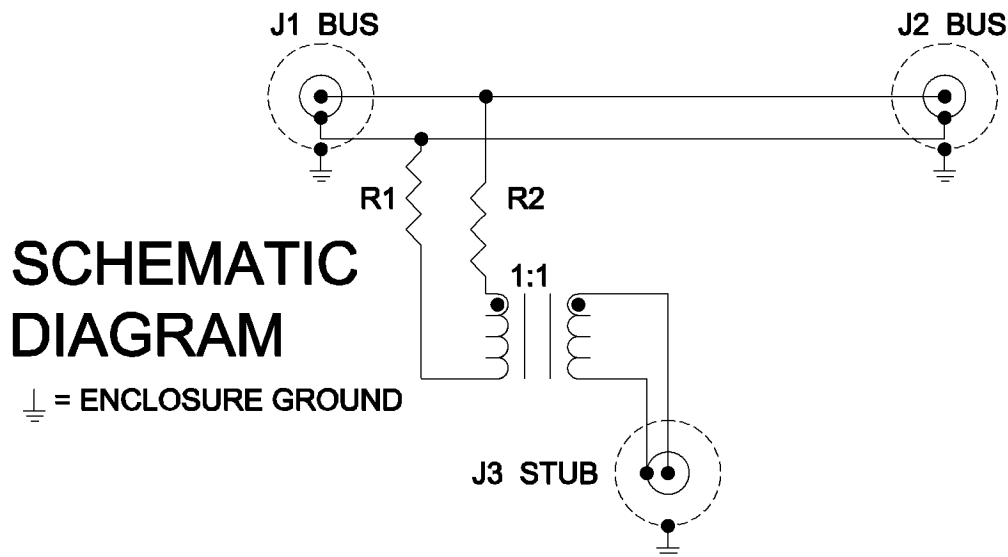
INTERFACE CONTROL DRAWING

REV	LTR	1	2	3	4	5	6	7	8	9	10	11	12	13	14	15	16	17	18	19	20	21	22	23	24	25	26	27	28	29	30
—	—																														
SHT NO.		1	2	3	4	5	6	7	8	9	10	11	12	13	14	15	16	17	18	19	20	21	22	23	24	25	26	27	28	29	30
UNLESS OTHERWISE SPECIFIED DIMENSIONS ARE IN INCHES TOLERANCES ON FRACTIONS DECIMALS ANGLES 2PL ± .03 3PL ± .010		CONTRACT NO.		<b>DATA BUS PRODUCTS CORP.</b> MANHASSET, NEW YORK 11030														<b>COUPLER, DATA BUS, SINGLE STUB</b> <b>MIL - STD - 1553</b>													
		PREPARED																										W.S.			
		CHECKED		940525																											
		ENGR.																													
		ENGR.																													
MATERIAL		APPROVED		SIZE	CODE IDENT NO.	DRAWING NO.																									
SEE PARAGRAPH 2.1				A	03JJ7	DBP12824																									
		APPROVED BY OTHER ACTIVITY		SCALE : NONE		REV. —		SHEET 1 OF 2																							

# REVISIONS

LTR	DESCRIPTIONS	DATE	APPROVED
—	BASELINE RELEASE	05 / 25 / 94	

- 1.0 ELECTRICAL SPECIFICATIONS: IAW MIL - STD - 1553B.
- 1.1 COMMON MODE REJECTION: -55.0dB MAX @ 1.0MHz.
- 1.2 DROOP: 20% MAX (250kHz).
- 1.3 OVERSHOOT & RINGING:  $\pm 1.0V$  PEAK (250kHz) SQUARE WAVE WITH 100nS MAX RISE & FALL TIME).
- 1.4 STUB VOLTAGE: 1.0V TO 14.0V P-P; LINE TO LINE; SIGNAL VOLTAGE, TRANSFORMER COUPLING.
- 1.5 INPUT IMPEDANCE OF BUS: 3000 OHMS MIN. (75kHz - 1.0MHz), STUB WITH OPEN CIRCUIT.
- 1.6 FAULT PROTECTION: 59 OHMS  $\pm 2\%$  RESISTOR IN SERIES WITH TRANSFORMER WINDING ON BUS SIDE.
- 1.7 RESISTOR VALUE: 2 WATT IAW MIL - R - 39017, R1 - R2 (75%  $Z_0$ ).  
NOMINAL LINE IMPEDANCE OF BUS ( $Z_0$ ): 78 OHMS.
- 2.0 MECHANICAL SPECIFICATIONS:
- 2.1 MATERIAL: ENCLOSURE: ALUMINUM.
- 2.1.1 MOUNTING PLATE: ALUMINUM.
- 2.2 FINISH: ENCLOSURE: BLACK ENAMEL PER TT - E - 529, COLOR IAW FED - STD - 595, #27028.  
MOUNTING PLATE: CLEAR ALODINE
- 2.3 CONNECTORS: BJ77 (TROMPETER OR EQUIV.) J1 THRU J3.  
MATING CONNECTOR FOR REFERENCE: PL75 (TROMPETER OR EQUIV.).
- 3.0 ENVIRONMENTAL:
- 3.1 OPERATING TEMPERATURE RANGE: -55°C TO 125°C.
- 4.0 REFERENCE DRAWING: US AIR FORCE 7822056-001.



SIZE	CODE IDENT NO.	DRAWING NO.
<b>A</b>	<b>03JJ7</b>	<b>DBP12824</b>
SCALE : NONE	REV. —	SHEET 2 OF 2