

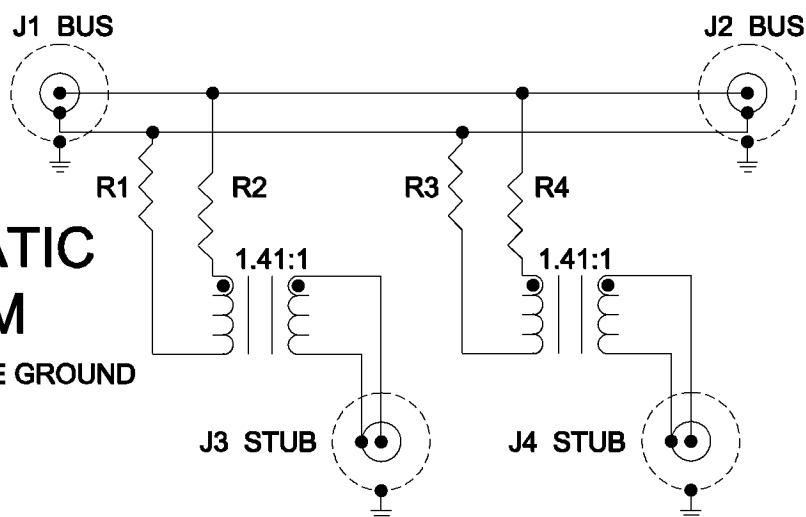
REVISIONS

LTR	DESCRIPTIONS	DATE	APPROVED
—	BASELINE RELEASE	05 / 25 / 94	

- 1.0 ELECTRICAL SPECIFICATIONS: IAW MIL - STD - 1553B.
- 1.1 COMMON MODE REJECTION: -55.0dB MAX @ 1.0MHz.
- 1.2 DROOP: 20% MAX (250kHz).
- 1.3 OVERSHOOT & RINGING: $\pm 1.0V$ PEAK (250kHz) SQUARE WAVE WITH 100ns MAX RISE & FALL TIME).
- 1.4 STUB VOLTAGE: 1.0V TO 14.0V P-P; LINE TO LINE; SIGNAL VOLTAGE, TRANSFORMER COUPLING.
- 1.5 INPUT IMPEDANCE OF BUS: 1500 OHMS MIN. (75kHz - 1.0MHz), STUB WITH OPEN CIRCUIT.
- 1.6 FAULT PROTECTION: 58.5 OHMS $\pm 2\%$ RESISTOR IN SERIES WITH TRANSFORMER WINDING ON BUS SIDE.
- 1.7 RESISTOR VALUE: 1 WATT IAW MIL - R - 39017, R1 - R4 (75% Z_o).
NOMINAL LINE IMPEDANCE OF BUS (Z_o): 78 OHMS.
- 2.0 MECHANICAL SPECIFICATIONS:
- 2.1 MATERIAL: ENCLOSURE: ALUMINUM .
- 2.1.1 MOUNTING PLATE: ALUMINUM, .080 THK..
- 2.2 FINISH: ENCLOSURE: BLACK ENAMEL PER TT - E - 529, COLOR IAW FED - STD - 595, #27028.
MOUNTING PLATE: CLEAR ALODINE
- 2.3 CONNECTORS: BJ77 3 LUG (TROMPETER OR EQUIV.) J1 THRU J4
MATING CONNECTOR FOR REFERENCE: PL75 (TROMPETER OR EQUIV.).
- 3.0 ENVIRONMENTAL:
- 3.1 OPERATING TEMPERATURE RANGE: -55°C TO 125°C.

SCHEMATIC DIAGRAM

\perp = ENCLOSURE GROUND



SIZE	CODE IDENT NO.	DRAWING NO.
A	03JJ7	DBP12864
SCALE : NONE	REV. —	SHEET 2 OF 2