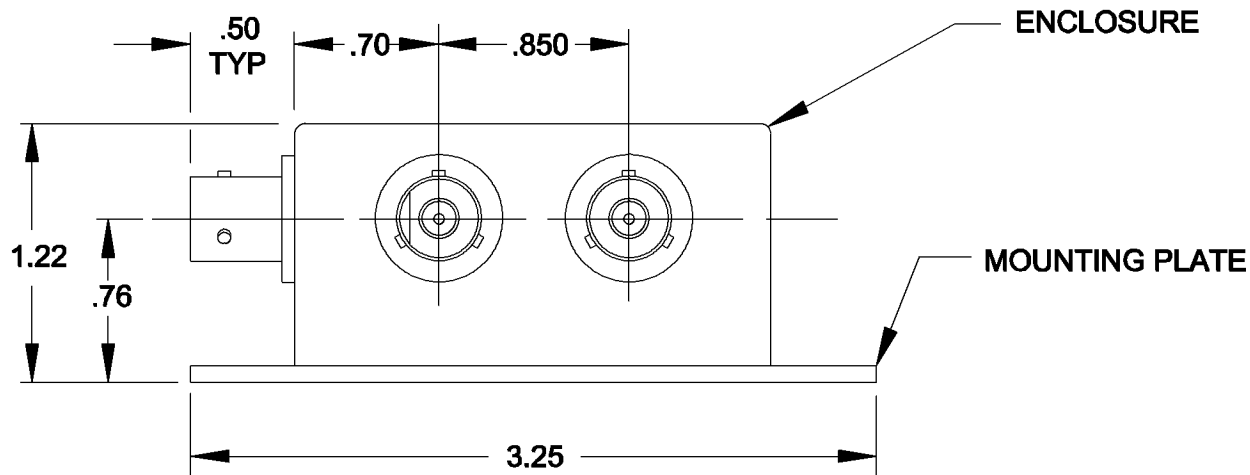
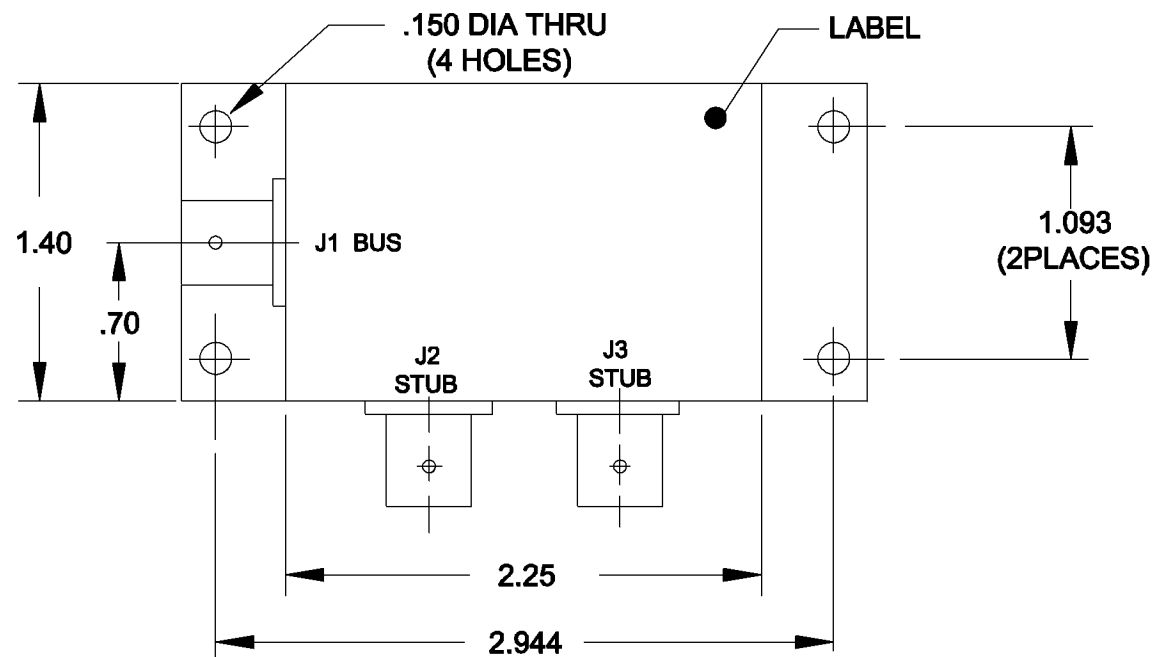


APPLICATIONS

REVISIONS

| NEXT ASSY | USED ON | LTR | DESCRIPTIONS | DATE | APPROVED |
|-----------|----------|-----|------------------|--------------|----------|
| | MULTIPLE | — | BASELINE RELEASE | 05 / 25 / 94 | |



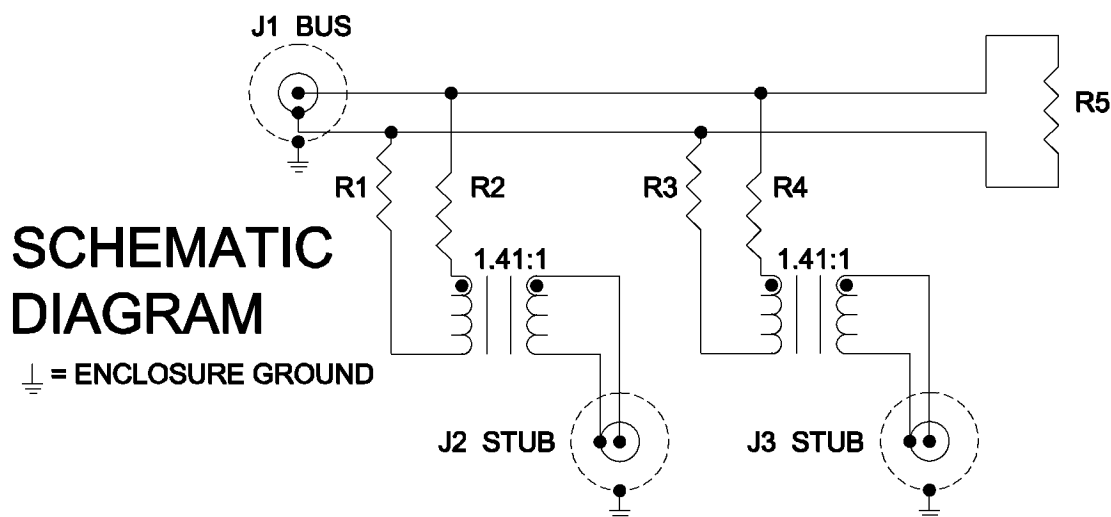
INTERFACE CONTROL DRAWING

| REV | LTR | 1 | 2 | 3 | 4 | 5 | 6 | 7 | 8 | 9 | 10 | 11 | 12 | 13 | 14 | 15 | 16 | 17 | 18 | 19 | 20 | 21 | 22 | 23 | 24 | 25 | 26 | 27 | 28 | 29 | 30 | | | | | | | | | | |
|---|-----|----------------------------|---|---|---|---|---|---|---|---|----|----|----|---|----------------|-------------|----|--------------|----|----|----|----|----|----|----|----|----|--------|----|----|----|--|--|--|--|--|--|--|--|--|--|
| | | | | | | | | | | | | | | | | | | | | | | | | | | | | | | | | | | | | | | | | | |
| UNLESS OTHERWISE SPECIFIED DIMENSIONS ARE IN INCHES TOLERANCES ON FRACTIONS DECIMALS ANGLES 2PL ± .03 3PL ± .010 | | CONTRACT NO. | | | | | | | | | | | | DATA BUS PRODUCTS CORP. MANHASSET, NEW YORK 11030 COUPLER, DATA BUS, 2 STUB MIL - STD - 1553B INTERNALLY TERMINATED | | | | | | | | | | | | | | | | | | | | | | | | | | | |
| MATERIAL SEE PARAGRAPH 2.1 | | PREPARED | | | | | | | | | | | | | | | | | | | | | | | | | | W.S. | | | | | | | | | | | | | |
| | | CHECKED | | | | | | | | | | | | | | | | | | | | | | | | | | 940525 | | | | | | | | | | | | | |
| | | ENGR. | | | | | | | | | | | | | | | | | | | | | | | | | | | | | | | | | | | | | | | |
| | | ENGR. | | | | | | | | | | | | | | | | | | | | | | | | | | | | | | | | | | | | | | | |
| | | APPROVED | | | | | | | | | | | | SIZE | CODE IDENT NO. | DRAWING NO. | | | | | | | | | | | | | | | | | | | | | | | | | |
| | | | | | | | | | | | | | | A | 03JJ7 | DBP12865 | | | | | | | | | | | | | | | | | | | | | | | | | |
| | | APPROVED BY OTHER ACTIVITY | | | | | | | | | | | | SCALE : NONE | | REV. — | | SHEET 1 OF 2 | | | | | | | | | | | | | | | | | | | | | | | |

REVISIONS

| LTR | DESCRIPTIONS | DATE | APPROVED |
|-----|------------------|--------------|----------|
| — | BASELINE RELEASE | 05 / 25 / 94 | |

- 1.0 ELECTRICAL SPECIFICATIONS: IAW MIL - STD - 1553B.
- 1.1 COMMON MODE REJECTION: -55.0dB MAX @ 1.0MHz.
- 1.2 DROOP: 20% MAX (250kHz).
- 1.3 OVERSHOOT & RINGING: $\pm 1.0V$ PEAK (250kHz) SQUARE WAVE WITH 100ns MAX RISE & FALL TIME).
- 1.4 STUB VOLTAGE: 1.0V TO 14.0V P-P; LINE TO LINE; SIGNAL VOLTAGE, TRANSFORMER COUPLING.
- 1.5 INPUT IMPEDANCE OF BUS: 1500 OHMS MIN. (75kHz - 1.0MHz), STUB WITH OPEN CIRCUIT.
- 1.6 FAULT PROTECTION: 58.5 OHMS $\pm 2\%$ RESISTOR IN SERIES WITH TRANSFORMER WINDING ON BUS SIDE.
- 1.7 RESISTOR VALUE: 1 WATT IAW MIL - R - 39017, R1 - R4 (75% Z_0).
 NOMINAL LINE IMPEDANCE OF BUS (Z_0): 78 OHMS.
 R5 = 78 OHMS 2 WATT IAW MIL-R-39007.
- 2.0 MECHANICAL SPECIFICATIONS:
- 2.1 MATERIAL: ENCLOSURE: ALUMINUM.
- 2.1.1 MOUNTING PLATE: ALUMINUM, .080 THK..
- 2.2 FINISH: ENCLOSURE: BLACK ENAMEL PER TT - E - 529, COLOR IAW FED - STD - 595, #27028.
 MOUNTING PLATE: CLEAR ALODINE
- 2.3 CONNECTORS: BJ77 3 LUG (TROMPETER OR EQUIV.) J1 THRU J3
 MATING CONNECTOR FOR REFERENCE: PL75 (TROMPETER OR EQUIV.).
- 3.0 ENVIRONMENTAL:
- 3.1 OPERATING TEMPERATURE RANGE: -55°C TO 125°C.



| | | |
|--------------|----------------|--------------|
| SIZE | CODE IDENT NO. | DRAWING NO. |
| A | 03JJ7 | DBP12865 |
| SCALE : NONE | REV. — | SHEET 2 OF 2 |