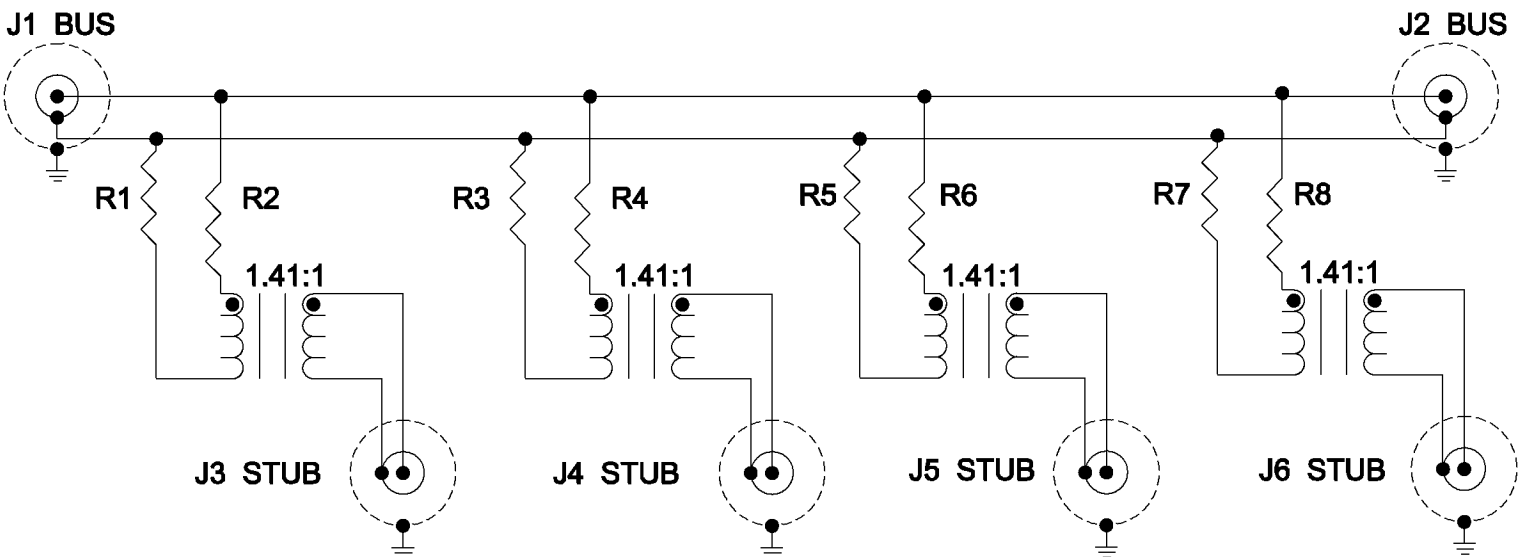


REVISIONS

LTR	DESCRIPTIONS	DATE	APPROVED
—	BASELINE RELEASE	04 / 21 / 99	

- 1.0 ELECTRICAL SPECIFICATIONS: IAW MIL - STD - 1553B.**
- 1.1 COMMON MODE REJECTION: -55.0dB MAX @ 1.0MHz.**
- 1.2 DROOP: 20% MAX (250kHz).**
- 1.3 OVERSHOOT & RINGING: ± 1.0V PEAK (250kHz) SQUARE WAVE WITH 100ns MAX RISE & FALL TIME).**
- 1.4 STUB VOLTAGE: 1.0V TO 14.0V P-P; LINE TO LINE; SIGNAL VOLTAGE, TRANSFORMER COUPLING.**
- 1.5 INPUT IMPEDANCE OF BUS: 750 OHMS MIN. (75kHz - 1.0MHz), STUB WITH OPEN CIRCUIT.**
- 1.6 FAULT PROTECTION: 58.5 OHMS ± 2% RESISTOR IN SERIES WITH TRANSFORMER WINDING ON BUS SIDE.**
- 1.7 RESISTOR VALUE: 1 WATT IAW MIL - R - 39017, R1 - R8 (75% Zo).
NOMINAL LINE IMPEDANCE OF BUS (Zo): 78 OHMS.**
- 2.0 MECHANICAL SPECIFICATIONS:**
- 2.1 MATERIAL: ENCLOSURE: COLD ROLLED STEEL, .031 THK..**
- 2.1.1 MOUNTING PLATE: COLD ROLLED STEEL, .042 THK..**
- 2.2 FINISH: BLACK ENAMEL PER TT - E - 529, COLOR IAW FED - STD - 595, #27028, OVER HOT TIN DIP.**
- 2.3 CONNECTORS: BJ157/BJ150 3 LUG (TROMPETER OR EQUIV.) J1 THRU J6.
MATING CONNECTOR FOR REFERENCE: PL155 (TROMPETER OR EQUIV.).**
- 3.0 ENVIRONMENTAL:**
- 3.1 OPERATING TEMPERATURE RANGE: -55°C TO 125°C.**



SCHEMATIC DIAGRAM

⊥ = ENCLOSURE GROUND

SIZE	CODE IDENT NO.	DRAWING NO.
A	03JJ7	DBP40030XS
SCALE : NONE	REV. —	SHEET 2 OF 2