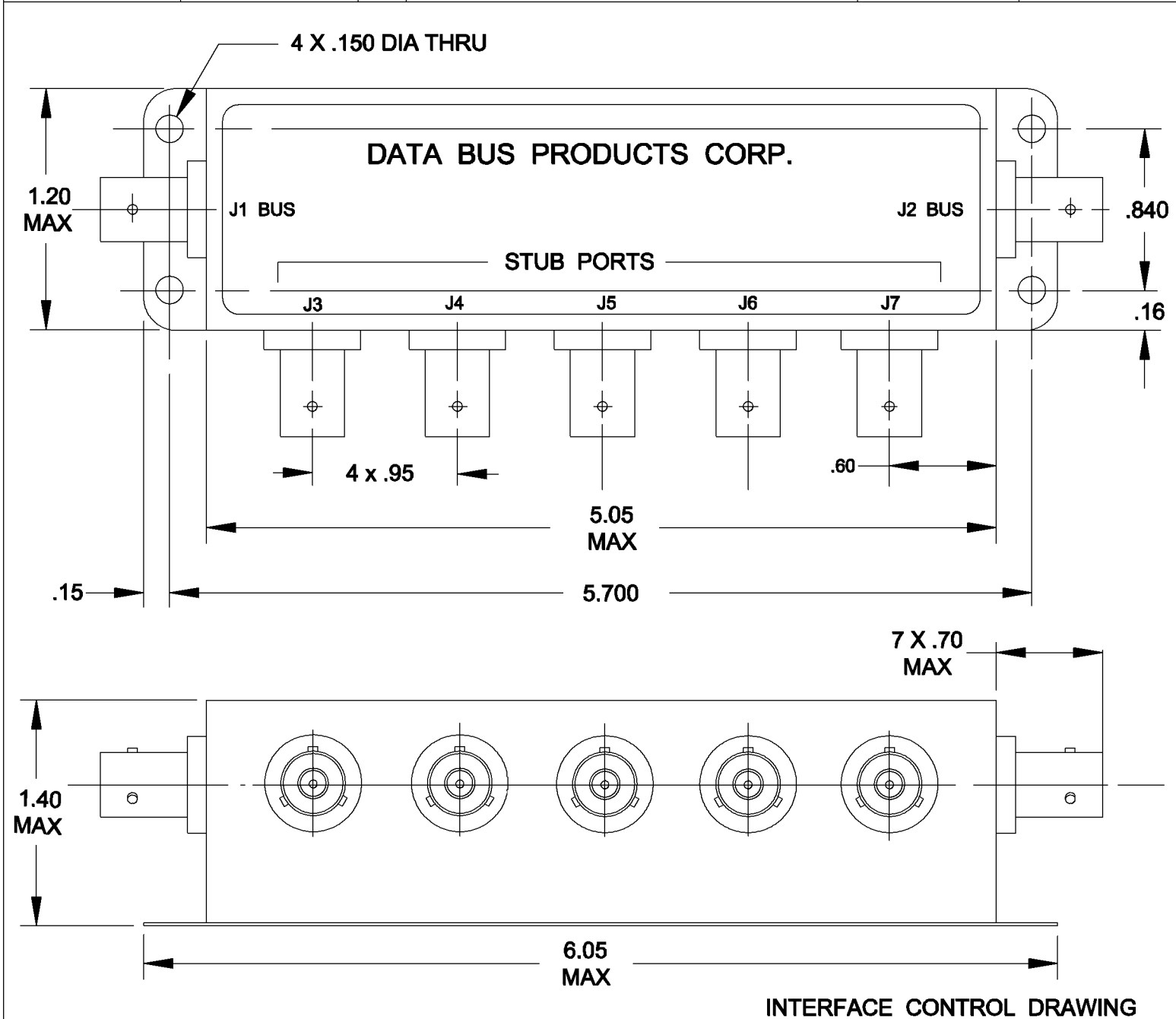


# APPLICATIONS

# REVISIONS

NEXT ASSY	USED ON	LTR	DESCRIPTIONS	DATE	APPROVED
	MULTIPLE	—	BASELINE RELEASE	08 / 15/ 98	

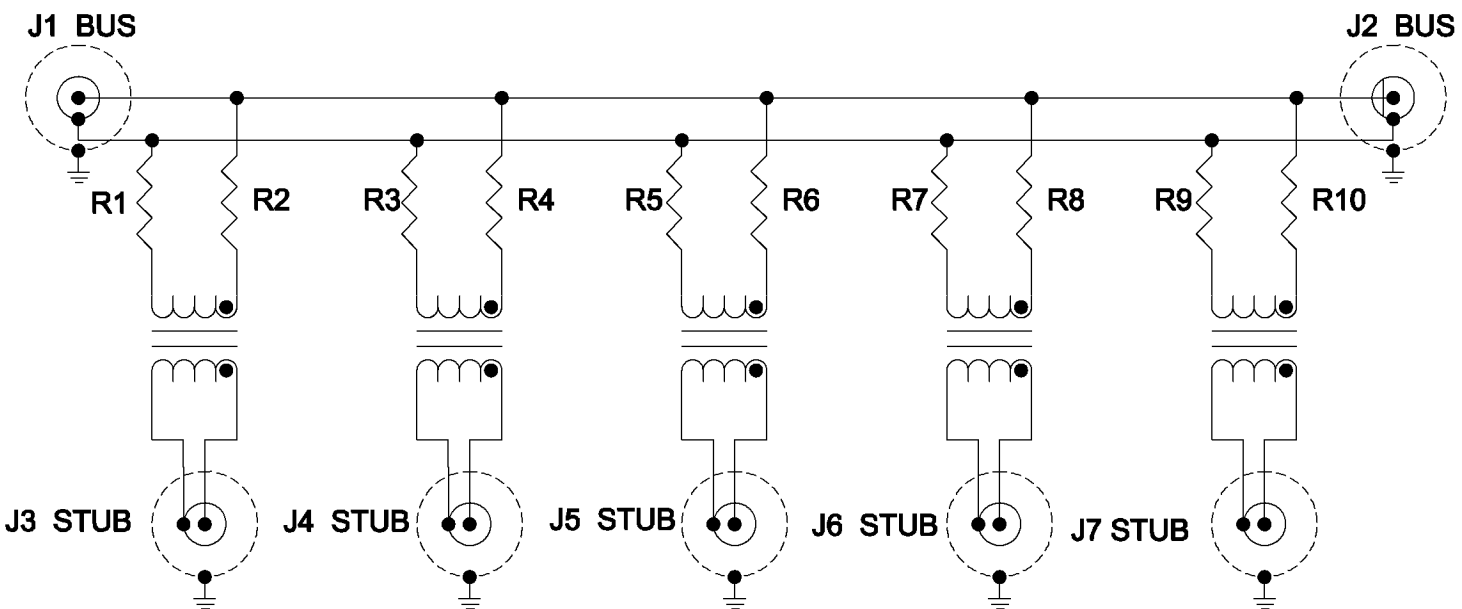


REV	LTR	1	2	3	4	5	6	7	8	9	10	11	12	13	14	15	16	17	18	19	20	21	22	23	24	25	26	27	28	29	30
UNLESS OTHERWISE SPECIFIED DIMENSIONS ARE IN INCHES TOLERANCES ON FRACTIONS DECIMALS ANGLES 2PL ± .03 3PL ± .010		CONTRACT NO.												<b>DATA BUS PRODUCTS CORP.</b> MANHASSET, NEW YORK 11030 <b>COUPLER, DATA BUS, 5 STUB                  MIL - STD - 1553B, 3 LUG CONN.</b>																	
MATERIAL		PREPARED <b>W.S.</b>																													
SEE PARAGRAPH 2.1		CHECKED <b>980815</b>												DRAWING NO. <b>DBP50010XS</b>																	
		ENGR.												SIZE <b>A</b>				CODE IDENT NO. <b>03JJ7</b>				REV. —									
		ENGR.												SCALE : NONE				SHEET 1 OF 2													
		APPROVED																													
		APPROVED BY OTHER ACTIVITY																													

# REVISIONS

LTR	DESCRIPTIONS	DATE	APPROVED
—	BASELINE RELEASE	08 / 15 / 98	

- 1.0 ELECTRICAL SPECIFICATIONS: IAW MIL - STD - 1553B.
- 1.1 COMMON MODE REJECTION: -55.0dB MAX @ 1.0MHz.
- 1.2 DROOP: 20% MAX (250kHz).
- 1.3 OVERSHOOT & RINGING: ± 1.0V PEAK (250kHz) SQUARE WAVE WITH 100ns MAX RISE & FALL TIME).
- 1.4 STUB VOLTAGE: 1.0V TO 14.0V P-P; LINE TO LINE; SIGNAL VOLTAGE, TRANSFORMER COUPLING.
- 1.5 INPUT IMPEDANCE OF BUS: 600 OHMS MIN. (75kHz - 1.0MHz), STUB WITH OPEN CIRCUIT.
- 1.6 FAULT PROTECTION: 58.5 OHMS ± 2% RESISTOR IN SERIES WITH TRANSFORMER WINDING ON BUS SIDE.
- 1.7 RESISTOR VALUE: 1 WATT IAW MIL - R - 39017, R1 - R10 (75%  $Z_0$ ).  
NOMINAL LINE IMPEDANCE OF BUS ( $Z_0$ ): 78 OHMS.
- 2.0 MECHANICAL SPECIFICATIONS:
- 2.1 MATERIAL: ENCLOSURE: COLD ROLLED STEEL, .031 THK..
- 2.1.1 MOUNTING PLATE: COLD ROLLED STEEL, .042 THK..
- 2.2 FINISH: BLACK ENAMEL PER TT - E - 529, COLOR IAW FED - STD - 595, #27028, OVER HOT TIN DIP.
- 2.3 CONNECTORS: BJ77 3 LUG (TROMPETER OR EQUIV.) J1 THRU J7.  
MATING CONNECTOR FOR REFERENCE: PL75 (TROMPETER OR EQUIV.).
- 3.0 ENVIRONMENTAL:
- 3.1 OPERATING TEMPERATURE RANGE: -55°C TO 125°C.



## SCHMATIC DIAGRAM

⊥ = ENCLOSURE GROUND

SIZE	CODE IDENT NO.	DRAWING NO.
<b>A</b>	<b>03JJ7</b>	<b>DBP50010XS</b>
SCALE : NONE	REV. —	SHEET 2 OF 2