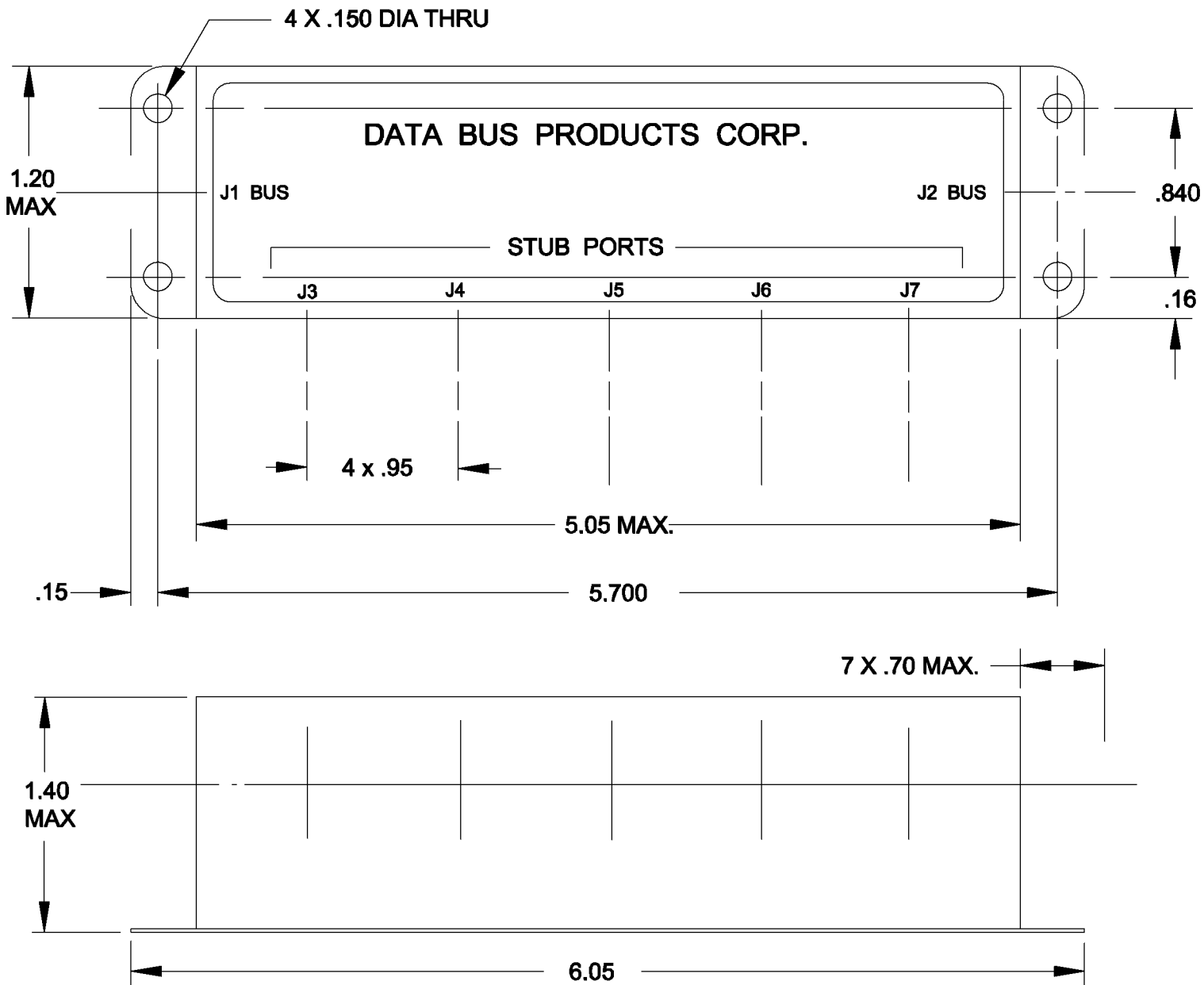


APPLICATIONS

REVISIONS

NEXT ASSY	USED ON	LTR	DESCRIPTIONS	DATE	APPROVED
	MULTIPLE	---	BASELINE RELEASE	04 / 21 / 99	



INTERFACE CONTROL DRAWING

REV																																																										
LTR	---	---																																																								
SHT NO.	1	2	3	4	5	6	7	8	9	10	11	12	13	14	15	16	17	18	19	20	21	22	23	24	25	26	27	28	29	30																												

UNLESS OTHERWISE SPECIFIED DIMENSIONS ARE IN INCHES TOLERANCES ON FRACTIONS DECIMALS ANGLES 2PL ± .03 3PL ± .010 MATERIAL SEE PARAGRAPH 2.1	CONTRACT NO.		DATA BUS PRODUCTS CORP. MANHASSET, NEW YORK 11030	
	PREPARED			
	W.S.		COUPLER, DATA BUS, 5 STUB MIL - STD - 1553B, THREADED	
	CHECKED			
	990421		SIZE	CODE IDENT NO.
		A	03JJ7	DBP50020XS
		APPROVED		SCALE : NONE
		APPROVED BY OTHER ACTIVITY		REV. ---

REVISIONS

LTR	DESCRIPTIONS	DATE	APPROVED
—	BASELINE RELEASE	04 / 21 / 99	

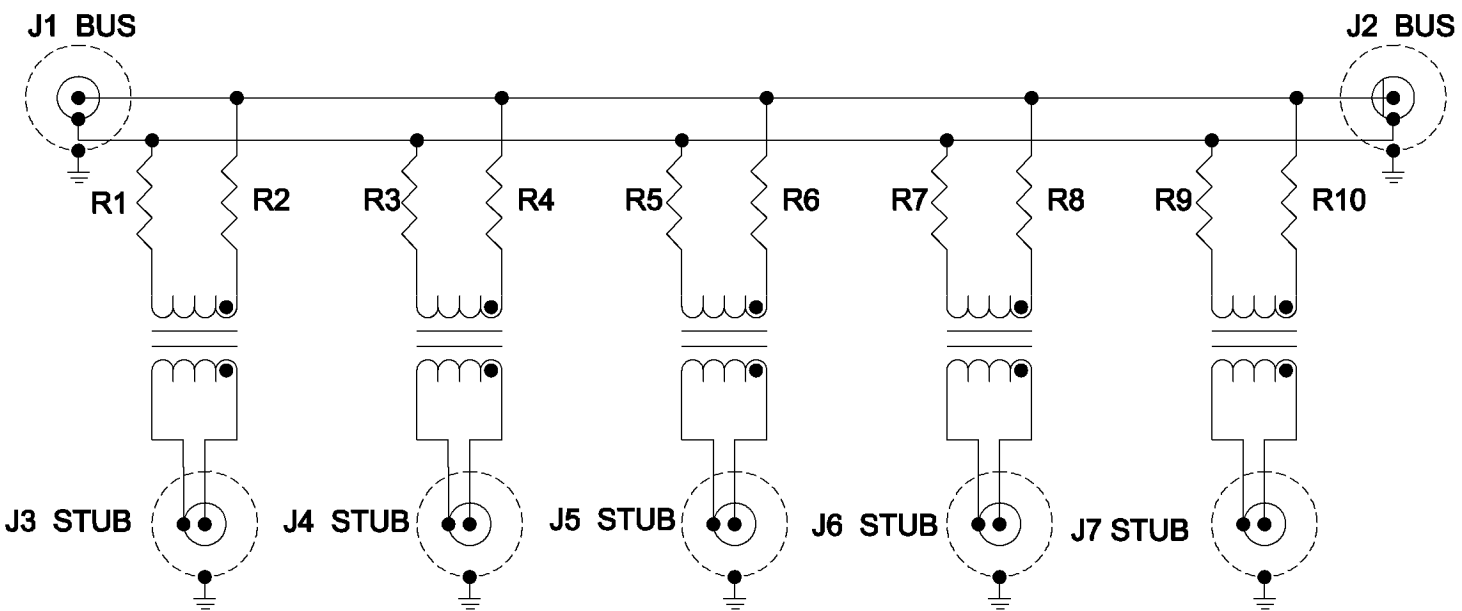
- 1.0 ELECTRICAL SPECIFICATIONS: IAW MIL - STD - 1553B.
- 1.1 COMMON MODE REJECTION: -55.0dB MAX @ 1.0MHz.
- 1.2 DROOP: 20% MAX (250kHz).
- 1.3 OVERSHOOT & RINGING: ± 1.0V PEAK (250kHz) SQUARE WAVE WITH 100ns MAX RISE & FALL TIME).
- 1.4 STUB VOLTAGE: 1.0V TO 14.0V P-P; LINE TO LINE; SIGNAL VOLTAGE, TRANSFORMER COUPLING.
- 1.5 INPUT IMPEDANCE OF BUS: 600 OHMS MIN. (75kHz - 1.0MHz), STUB WITH OPEN CIRCUIT.
- 1.6 FAULT PROTECTION: 58.5 OHMS ± 2% RESISTOR IN SERIES WITH TRANSFORMER WINDING ON BUS SIDE.
- 1.7 RESISTOR VALUE: 1 WATT IAW MIL - R - 39017, R1 - R10 (75% Z_0).
NOMINAL LINE IMPEDANCE OF BUS (Z_0): 78 OHMS.

2.0 MECHANICAL SPECIFICATIONS:

- 2.1 MATERIAL: ENCLOSURE: COLD ROLLED STEEL, .031 THK..
- 2.1.1 MOUNTING PLATE: COLD ROLLED STEEL, .042 THK..
- 2.2 FINISH: BLACK ENAMEL PER TT - E - 529, COLOR IAW FED - STD - 595, #27028, OVER HOT TIN DIP.
- 2.3 CONNECTORS: BJ377/BJ376 THREADED (TROMPETER OR EQUIV.) J1 THRU J7.
MATING CONNECTOR FOR REFERENCE: PL375 (TROMPETER OR EQUIV.).

3.0 ENVIRONMENTAL:

- 3.1 OPERATING TEMPERATURE RANGE: -55°C TO 125°C.



SCHEMATIC DIAGRAM

⊥ = ENCLOSURE GROUND

SIZE	CODE IDENT NO.	DRAWING NO.
A	03JJ7	DBP50020XS
SCALE : NONE	REV. —	SHEET 2 OF 2