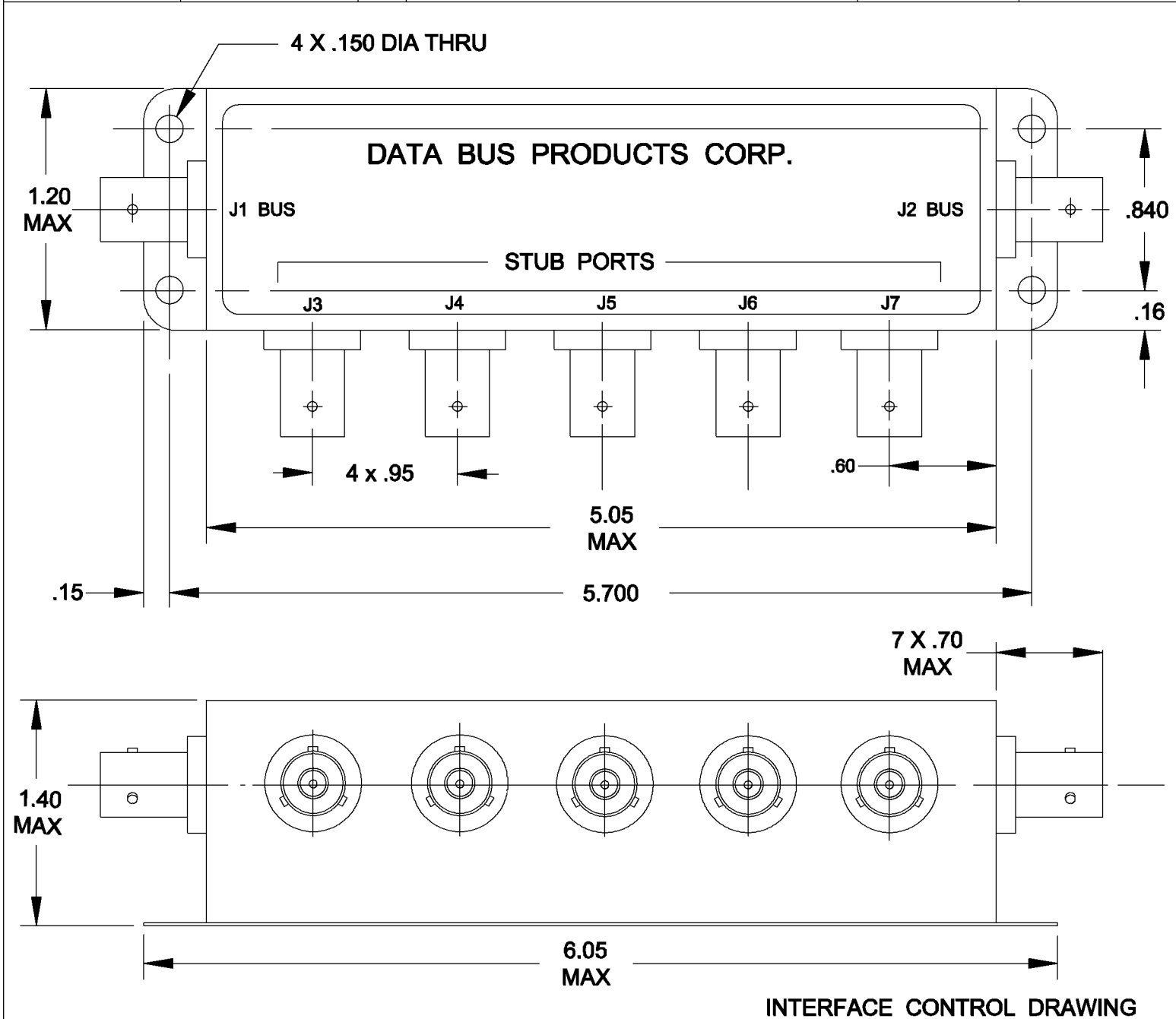


APPLICATIONS

REVISIONS

NEXT ASSY	USED ON	LTR	DESCRIPTIONS	DATE	APPROVED
	MULTIPLE	—	BASELINE RELEASE	04 / 21 / 99	



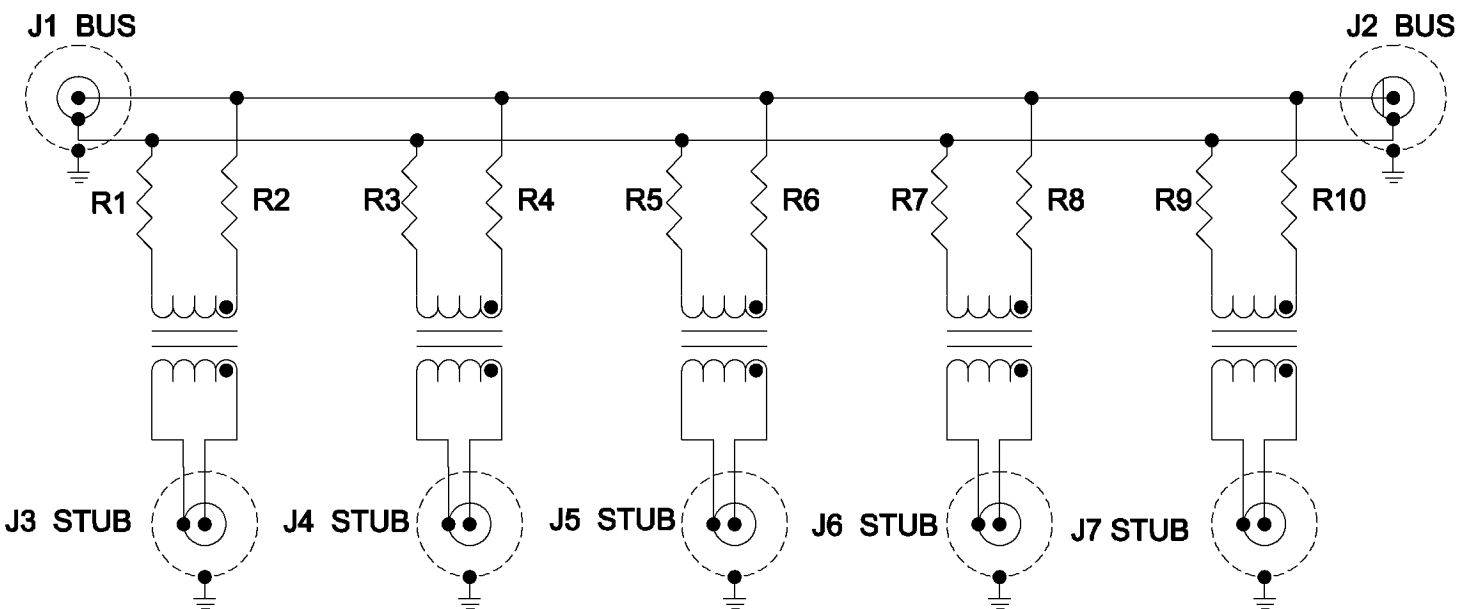
INTERFACE CONTROL DRAWING

REV	LTR	1	2	3	4	5	6	7	8	9	10	11	12	13	14	15	16	17	18	19	20	21	22	23	24	25	26	27	28	29	30	
UNLESS OTHERWISE SPECIFIED DIMENSIONS ARE IN INCHES TOLERANCES ON FRACTIONS DECIMALS ANGLES 2PL ± .03 3PL ± .010		CONTRACT NO.					DATA BUS PRODUCTS CORP. MANHASSET, NEW YORK 11030																									
MATERIAL SEE PARAGRAPH 2.1		PREPARED W.S.					COUPLER, DATA BUS, 5 STUB MIL - STD - 1553B, 3 LUG																									
		CHECKED 990421					SIZE A		CODE IDENT NO. 03JJ7				DRAWING NO. DBP50030XS																			
		ENGR.					SCALE : NONE		REV. —				SHEET 1 OF 2																			
		ENGR.																														
		APPROVED																														
		APPROVED BY OTHER ACTIVITY																														

REVISIONS

LTR	DESCRIPTIONS	DATE	APPROVED
—	BASELINE RELEASE	04 / 21 / 99	

- 1.0 ELECTRICAL SPECIFICATIONS: IAW MIL - STD - 1553B.**
- 1.1 COMMON MODE REJECTION: -55.0dB MAX @ 1.0MHz.**
- 1.2 DROOP: 20% MAX (250kHz).**
- 1.3 OVERSHOOT & RINGING: ± 1.0V PEAK (250kHz) SQUARE WAVE WITH 100ns MAX RISE & FALL TIME).**
- 1.4 STUB VOLTAGE: 1.0V TO 14.0V P-P; LINE TO LINE; SIGNAL VOLTAGE, TRANSFORMER COUPLING.**
- 1.5 INPUT IMPEDANCE OF BUS: 600 OHMS MIN. (75kHz - 1.0MHz), STUB WITH OPEN CIRCUIT.**
- 1.6 FAULT PROTECTION: 58.5 OHMS ± 2% RESISTOR IN SERIES WITH TRANSFORMER WINDING ON BUS SIDE.**
- 1.7 RESISTOR VALUE: 1 WATT IAW MIL - R - 39017, R1 - R10 (75% Z_0).
NOMINAL LINE IMPEDANCE OF BUS (Z_0): 78 OHMS.**
- 2.0 MECHANICAL SPECIFICATIONS:**
- 2.1 MATERIAL: ENCLOSURE: COLD ROLLED STEEL, .031 THK..**
- 2.1.1 MOUNTING PLATE: COLD ROLLED STEEL, .042 THK..**
- 2.2 FINISH: BLACK ENAMEL PER TT - E - 529, COLOR IAW FED - STD - 595, #27028, OVER HOT TIN DIP.**
- 2.3 CONNECTORS: BJ77 3 LUG (TROMPETER OR EQUIV.) J1 THRU J7.
MATING CONNECTOR FOR REFERENCE: PL75 (TROMPETER OR EQUIV.).**
- 3.0 ENVIRONMENTAL:**
- 3.1 OPERATING TEMPERATURE RANGE: -55°C TO 125°C.**



SCHMATIC DIAGRAM

⊥ = ENCLOSURE GROUND

SIZE	CODE IDENT NO.	DRAWING NO.
A	03JJ7	DBP50030XS
SCALE : NONE	REV. —	SHEET 2 OF 2