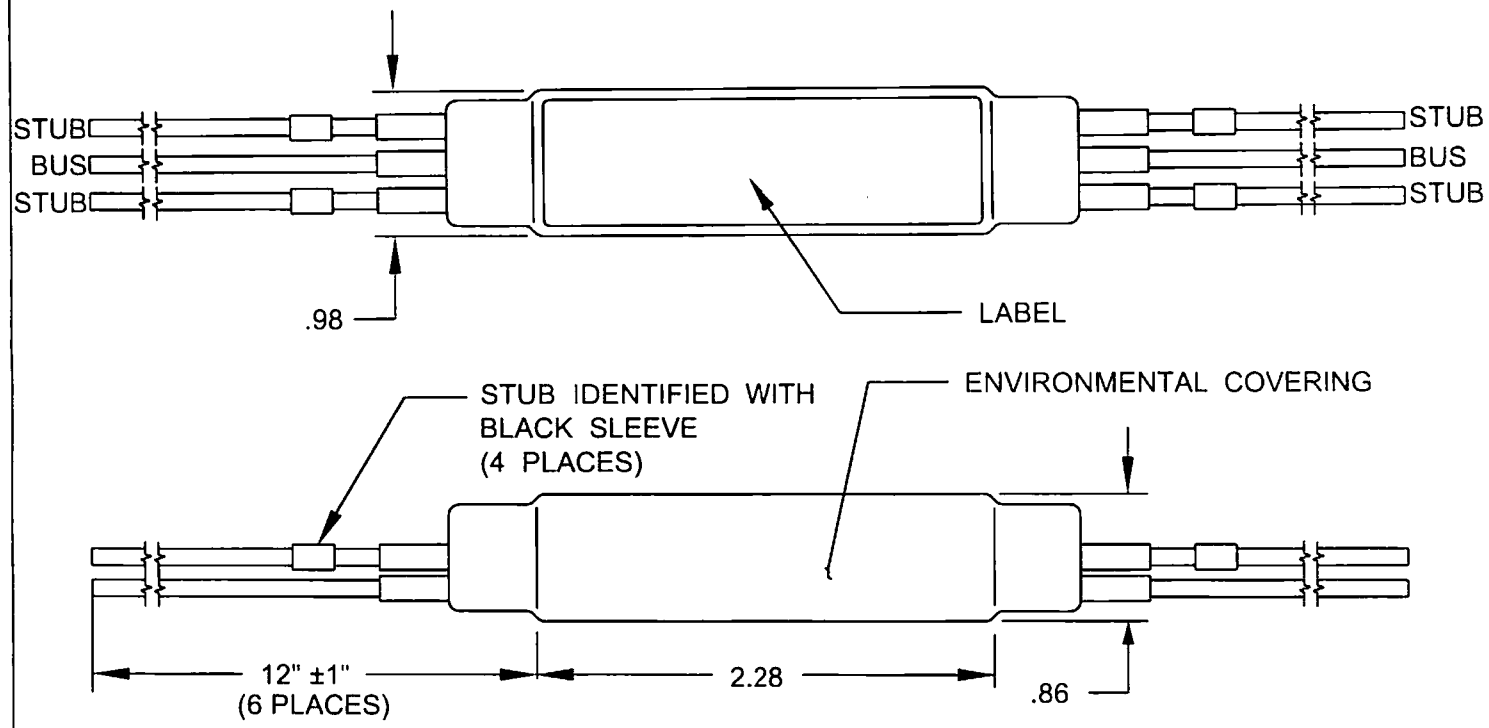


APPLICATIONS		REVISIONS			
NEXT ASSY	USED ON	LTR	DESCRIPTIONS	DATE	APPROVED
	MULTIPLE	—	BASELINE RELEASE	08 / 02 / 94	WS
		A	ECO # 12005	05 / 10 / 03	WS



INTERFACE CONTROL DRAWING

REV	A	A																																					
LTR																																							
SHT NO.	1	2	3	4	5	6	7	8	9	10	11	12	13	14	15	16	17	18	19	20	21	22	23	24	25	26	27	28	29	30									

<small>UNLESS OTHERWISE SPECIFIED DIMENSIONS ARE IN INCHES TOLERANCES ON FRACTIONS DECIMALS ANGLES 2PL ± .03 3PL ± .010</small>	CONTRACT NO.		<p style="text-align: center;">DATA BUS PRODUCTS CORP. MANHASSET, NEW YORK 11030</p>					
	PREPARED	SW 940801						
	CHECKED	WS 940802	<p style="text-align: center;">COUPLER, INLINE FOUR STUB MIL - STD - 1553B, DATA BUS</p>					
	ENGR.	WS 940802						
	MATERIAL	APPROVED	WS 940802	SIZE	CODE IDENT NO.	DRAWING NO.		
SEE PARAGRAPH 2.1	APPROVED BY OTHER ACTIVITY		A	03JJ7	DBP40005			
			SCALE : NONE		REV. A	SHEET 1 OF 2		

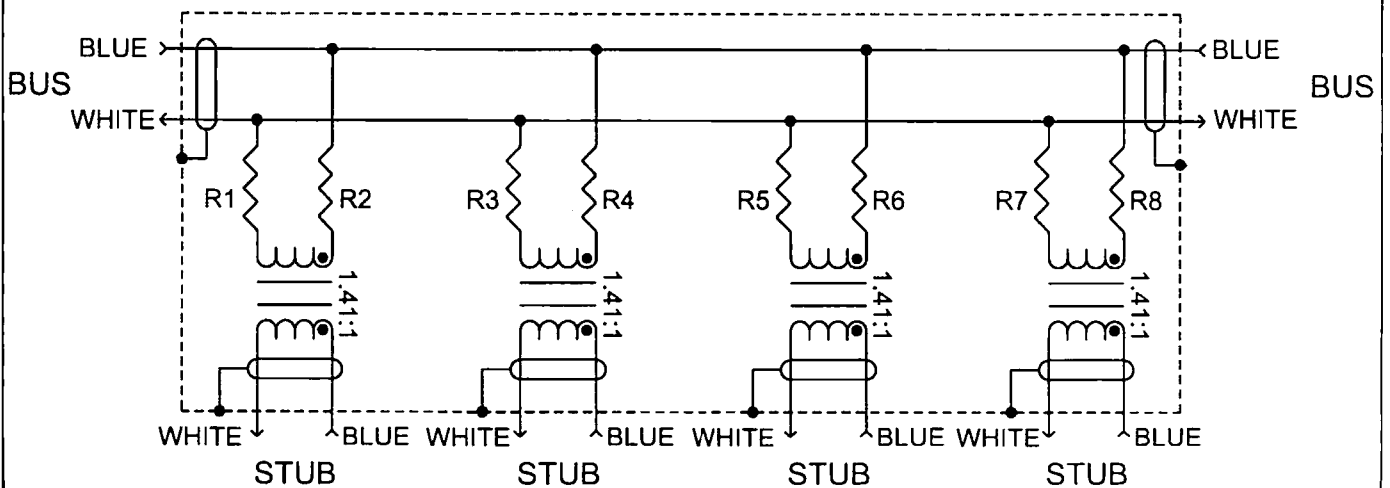
REVISIONS

LTR	DESCRIPTIONS	DATE	APPROVED
—	BASELINE RELEASE	08 / 02 / 94	WS
A	ECO # 12005	05 / 10 / 03	WS

- 1.0 ELECTRICAL SPECIFICATIONS: IAW MIL - STD - 1553B.
- 1.1 COMMON MODE REJECTION: -55.0dB MIN @ 1.0MHz.
- 1.2 DROOP: 20% MAX (250kHz).
- 1.3 OVERSHOOT & RINGING: $\pm 1.0V$ PEAK (250kHz) SQUARE WAVE WITH 100nS MAX RISE & FALL TIME).
- 1.4 STUB VOLTAGE: 1.0V TO 14.0V P - P; LINE TO LINE; SIGNAL VOLTAGE, TRANSFORMER COUPLING.
- 1.5 INPUT IMPEDANCE OF BUS: 750 OHMS MIN. (75kHz - 1.0MHz), STUB WITH OPEN CIRCUIT.
- 1.6 FAULT PROTECTION: 58.5 OHMS $\pm 2\%$ RESISTOR IN SERIES WITH TRANSFORMER WINDING ON BUS SIDE.
- 1.7 RESISTOR VALUE: 1 WATT IAW MIL - R - 39007, R1 - R8 (75% Z_o).
NOMINAL LINE IMPEDANCE OF BUS (Z_o): 78 OHMS.
- 2.0 MECHANICAL SPECIFICATIONS:
- 2.1 MATERIAL: ENCLOSURE: COLD ROLLED STEEL, .031 THK. MAX..
- 2.2 FINISH: ENVIRONMENTAL PROTECTIVE COVERING: FLAME RETARDED, RADIATION
CROSSLINKED POLYOLEFIN.
- 2.3 CABLE: PER MIL - C - 17/176-00002.
- 3.0 ENVIRONMENTAL:
- 3.1 OPERATING TEMPERATURE RANGE: -55°C TO 125°C.

SCHEMATIC DIAGRAM

CASE GROUND



SIZE	CODE IDENT NO.	DRAWING NO.
A	03JJ7	DBP40005
SCALE : NONE	REV. A	SHEET 2 OF 2