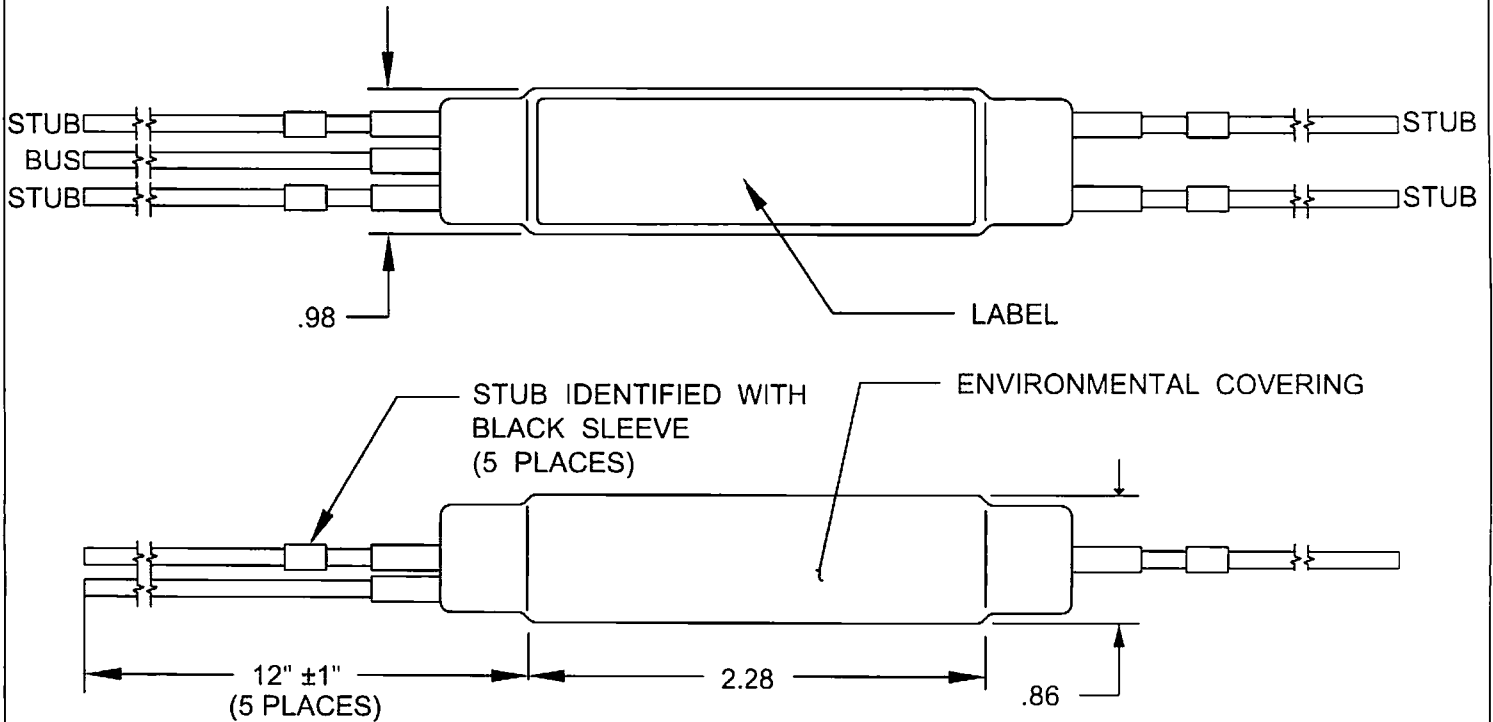


APPLICATIONS		REVISIONS			
NEXT ASSY	USED ON	LTR	DESCRIPTIONS	DATE	APPROVED
	MULTIPLE	—	BASELINE RELEASE	08 / 02 / 94	WS
		A	ECO # 12005	05 / 10 / 03	WS



INTERFACE CONTROL DRAWING

REV LTR	A	A																																						
SHT NO.	1	2	3	4	5	6	7	8	9	10	11	12	13	14	15	16	17	18	19	20	21	22	23	24	25	26	27	28	29	30										
UNLESS OTHERWISE SPECIFIED DIMENSIONS ARE IN INCHES TOLERANCES ON FRACTIONS DECIMALS ANGLES 2PL ± .03 3PL ± .010					CONTRACT NO.					DATA BUS PRODUCTS CORP.																														
					PREPARED SW 940801					MANHASSET, NEW YORK 11030																														
					CHECKED WS 940802					COUPLER, INLINE, INTERNALLY TERMINATED, FOUR STUB MIL - STD - 1553B																														
MATERIAL SEE PARAGRAPH 2.1					ENGR. WS 940802					SIZE			CODE IDENT NO.			DRAWING NO.																								
					ENGR.					A			03JJ7			DBP42005																								
					APPROVED WS 940802					SCALE : NONE			REV. A			SHEET 1 OF 2																								
					APPROVED BY OTHER ACTIVITY																																			

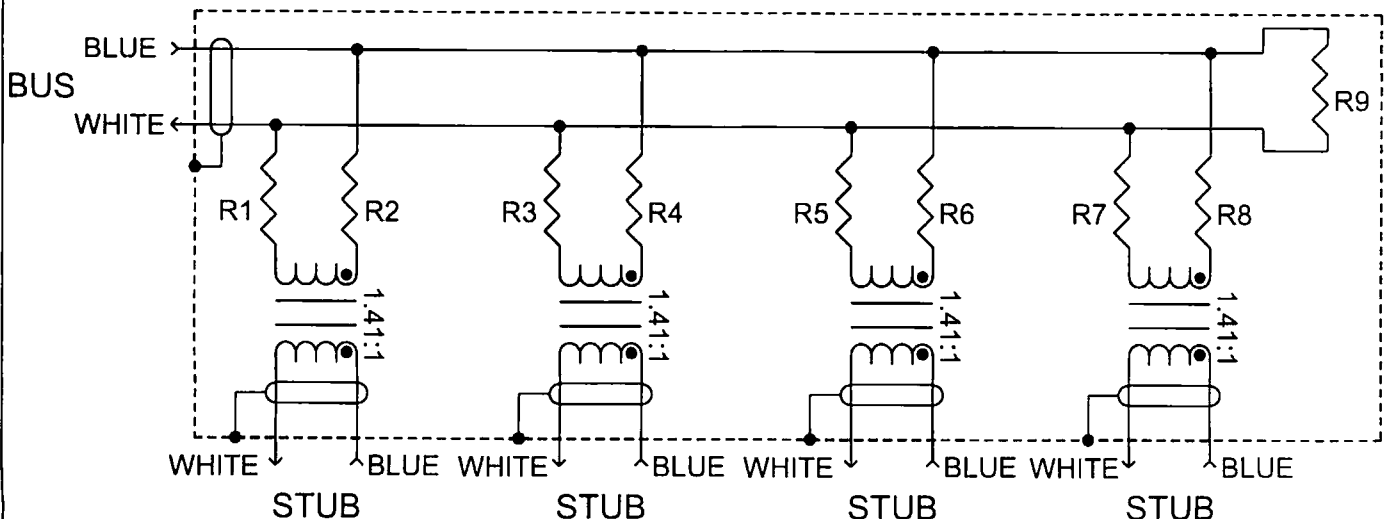
REVISIONS

LTR	DESCRIPTIONS	DATE	APPROVED
—	BASELINE RELEASE	08 / 02 / 94	WS
A	ECO # 12005	05 / 10 / 03	WS

- 1.0 ELECTRICAL SPECIFICATIONS: IAW MIL - STD - 1553B.
- 1.1 COMMON MODE REJECTION: -55.0dB MIN @ 1.0MHz.
- 1.2 DROOP: 20% MAX (250kHz).
- 1.3 OVERSHOOT & RINGING: $\pm 1.0V$ PEAK (250kHz) SQUARE WAVE WITH 100ns MAX RISE & FALL TIME).
- 1.4 STUB VOLTAGE: 1.0V TO 14.0V P - P; LINE TO LINE; SIGNAL VOLTAGE, TRANSFORMER COUPLING.
- 1.5 INPUT IMPEDANCE OF BUS: 750 OHMS MIN. (75kHz - 1.0MHz), STUB WITH OPEN CIRCUIT.
- 1.6 FAULT PROTECTION: 58.5 OHMS $\pm 2\%$ RESISTOR IN SERIES WITH TRANSFORMER WINDING ON BUS SIDE.
- 1.7 RESISTOR VALUE: 1 WATT IAW MIL - R - 39007, R1 - R8 (75 % Z_o). NOMINAL LINE IMPEDANCE OF BUS (Z_o): 78 OHMS. R9 = 78 OHMS.
- 2.0 MECHANICAL SPECIFICATIONS:
- 2.1 MATERIAL: ENCLOSURE: COLD ROLLED STEEL, .031 THK. MAX..
- 2.2 FINISH: ENVIRONMENTAL PROTECTIVE COVERING: FLAME RETARDED, RADIATION CROSSLINKED POLYOLEFIN.
- 2.3 CABLE: PER MIL - C - 17/176-00002.
- 3.0 ENVIRONMENTAL:
- 3.1 OPERATING TEMPERATURE RANGE: -55°C TO 125°C.

SCHEMATIC DIAGRAM

CASE GROUND



SIZE	CODE IDENT NO.	DRAWING NO.
A	03JJ7	DBP42005
SCALE : NONE	REV. A	SHEET 2 OF 2